

Solar Blinking Light SLS1

Powergrid independent hazard light with built-in solar panel and battery backup for weatherproof outdoor use.

- ▶ Protection rating IP 54
- ▶ Operating time approximately 50 hours
- ▶ Available with red or yellow perspex light cap
- ▶ Standard 4x 2600 mA/h storage-batteries
- ▶ Various mode settings
- ▶ Marking hazard areas at night



Application

It is often necessary to install light signals on a temporary or long-term basis. Often requisite access to an electricity grid is not available and a elaborate and expensive cabling is necessary. The Solar Light Signal SLS1 operates independently using its own power supply from 4x 2600 mAh storage-batteries that are recharged by a built-in solar panel. Operational span of the light signal is tested to approx. 50 hours, without additional insolation and fully functional batteries.

Design

The casing is made of impact-resistant-plastic mounted on an aluminum base plate. The light signal cap is made of red or yellow Plexiglass. The illuminant is based on LEDs with a long service life. The built-in dimmer switch lets the light signal be configured exclusively for night-time operation. Though other mode settings can be adapted using an internal jumper.

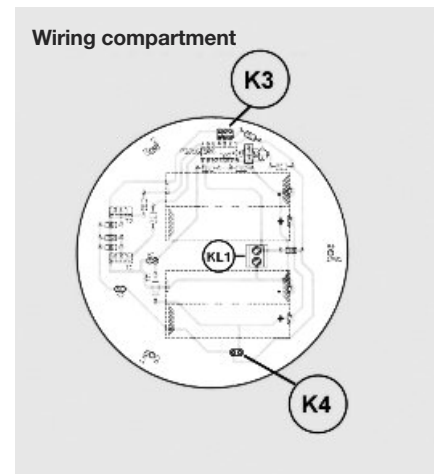
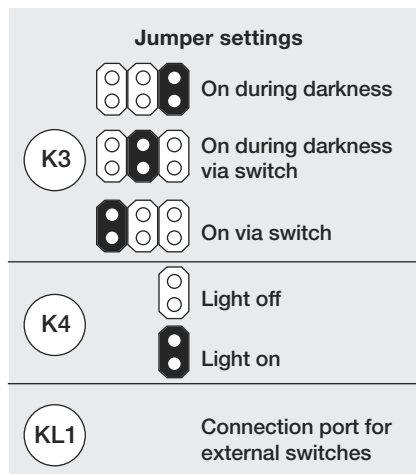
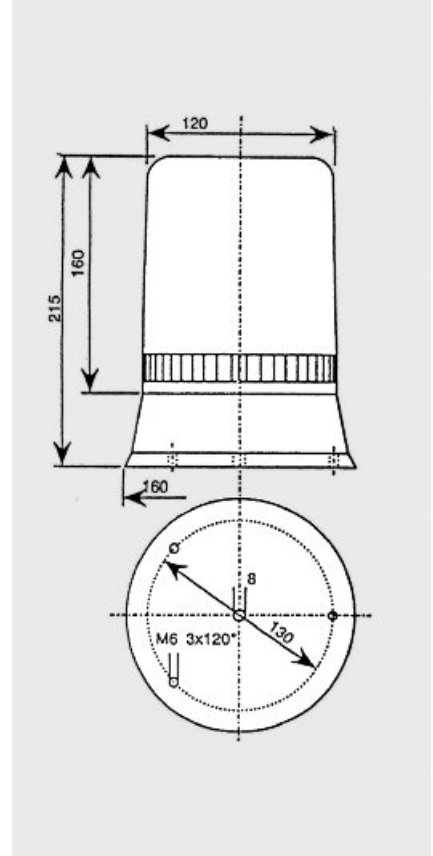
Marking temporary hazard areas at night

In order to mark temporary hazard areas at night, an independent power supply is mandatory.



Technical specifications

Casing	Plastic with aluminium base plate Plexiglas signal cap
Signal cap colours	Yellow, red
Protection rating	IP 54 (as per IEC 60529)
Safety class	II
Cable lead-in	from below
Operating condition	indoors or outdoors
Operating position	standing, exposed to insolation
Standby duration	approx. 50 hours
Temperature range	-20°C to +50°C
Weight	approx. 2 kg



Order information

Type	Name	Colour	Article no.
SLS 1	Solar Light Signal	red	22121002
SLS 1	Solar Light Signal	yellow	22121002

Subject to change without notice · Printout 01/10