



# Weatherproof loudspeakers STARLINE P0654 and P2554 P1566 and P2566

Compact loudspeakers with high IP degree of protection

- ▶ 6, 15 or 25 watt versions
- ▶ 100 volt technology
- ▶ High degree of protection
- ▶ Impact resistant plastic housing
- ▶ High performance

## Application

The high-quality plastic housings enable operation in all areas in which addressing the public is necessary. Which means the loudspeakers can be used in almost all Intercom or PA systems with 100 V technology. The high IP degree of protection guarantees unlimited use in all branches of industry, in tunnelling, multi-storey car parks or public areas.

## Design

The P0654 and P2554 models are suited for providing music and speech indoors and outdoors. Manufactured in grey or black plastic, the ABS housing is self-extinguishing, boasting IP 54 and a swing/tilt bracket. The delivery includes a matching transformer and 1.5 m of cable, fasteners and a matching high-pass filter.

The P1566 and P2566 models were developed especially for use in areas endangered by water jetting. The M20 cable glands protect against ingress of powerful water jetting. After cleaning, water can escape through an additional bore in the pressure chamber. Likewise, the horn is equipped with a matching high-pass filter.

All brackets and screws are manufactured from high-quality stainless steel (V4A).

All parts of the housing are resistant towards:

- Exhaust from gasoline and diesel engines
- De-icing salts like sodium chloride (NaCl) and calcium chloride (CaCl)
- Corrosion in connection with concrete (alkalic water)
- Street dust
- Vibrations caused by traffic

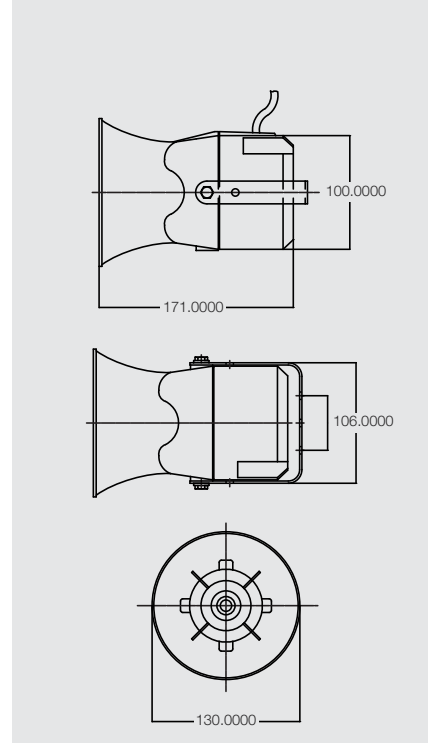
## Compact loudspeakers with high IP degree of protection

The high-quality plastic housings enable operation in all areas in which addressing the public is necessary.

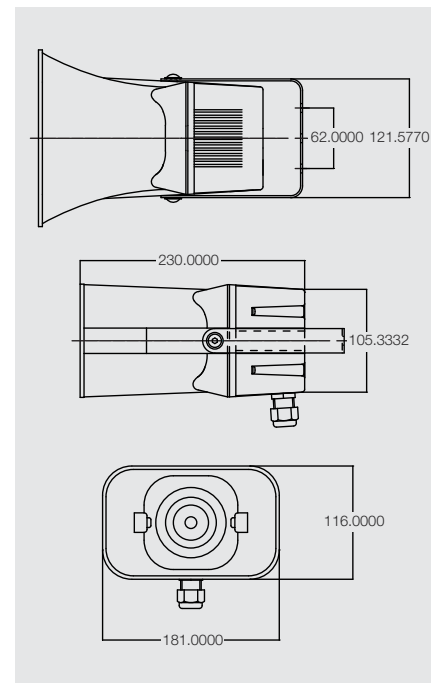


## Technische Daten

	<b>P0654</b>	<b>P2554</b>
Rated power	6 W / 100 V	25 W / 100 V
Rated impedance	1667 $\Omega$	400 $\Omega$
Taps	6 / 3 / 1.5	25 / 12.5 / 6.25
Sound pressure (1 W / 1 m)	106 dB	106 dB
Max. sound pressure (1 m)	114 dB	119 dB
Frequency range (-10 dB)	500 – 13000 Hz	500 – 13000 Hz
Angle	90°	90°
Temperature range	-40 – +70°C	-40 – +70°C
Protection degree	IP 54	IP 54
Connection	1.5 m cable	1.5 m cable
Dimensions (mm)	$\varnothing$ 130 x 75	$\varnothing$ 130 x 75
Weight	1.4 kg	1.8 kg



	<b>P1566</b>	<b>P2566</b>
Rated power	15 W / 100 V	25 W / 100 V
Rated impedance	667 $\Omega$	400 $\Omega$
Taps	15 / 7.5 / 3.75	25 / 12.5 / 5.25
Sound pressure (1 W / 1 m)	110 dB	110 dB
Max. sound pressure (1 m)	119 dB	122 dB
Frequency range (-10 dB)	350 – 10000 Hz	350 – 10000 Hz
Angle	110° / 55°	110° / 55°
Temperature range	-40 – +70°C	-40 – +70°C
Protection degree	IP 66	IP 66
Connection	2 x M20	2 x M20
Dimensions (mm)	180 x 120 x 230	180 x 120 x 230
Weight	2.0 kg	2.2 kg



## Order information

Type	Colour	Protection degree	Rated power	P/N
STAR P1566	Grey	IP 66	15 watt	12530015
STAR P2566	Grey	IP 66	25 watt	12530025
STAR P0654	Grey	IP 54	6 watt	12520006
STAR P2554	Grey	IP 54	25 watt	12520025
STAR P1566	Black	IP 66	15 watt	12530215
STAR P2566	Black	IP 66	25 watt	12530225
STAR P0654	Black	IP 54	6 watt	12520206
STAR P2554	Black	IP 54	25 watt	12520225

Subject to alterations · Revised 02/09