

Zzline



# ExII-Signalling Hooter HZ2

**High volume sound device for use  
in zone 2**

- ▶ ATEX CE Ex II 3 G Ex nR IIC T6
- ▶ Protection degree IP 66
- ▶ Volume approx. 108 dB(A)
- ▶ Protection class II

## Application

The signalling hooter HZ2 was developed for warning, calling and indicating purposes in zone 2 environment.

The hooter produces a sound volume of approx. 108 dB(A) at 1 m distance. It can be delivered in most common voltages.

## Design

The driver system consists of a strong, non-pda rised electromagnet, whose striker hits the diaphragm between 100 and 120 times a second.

All DC versions are equipped with an electronic contact breaker.

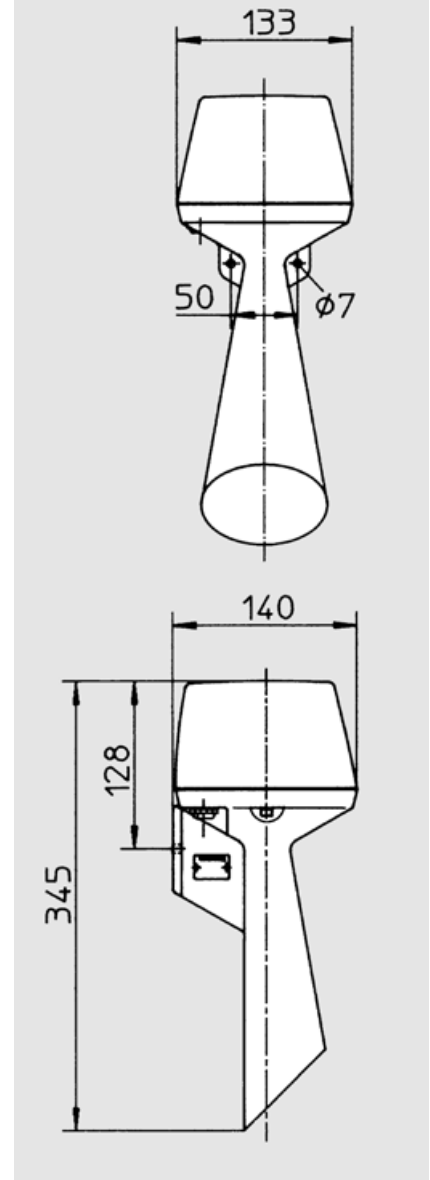
## Acoustic Signalling device for Zone 2

The signalling hooter HZ2 was developed for warning purposes in zone 2 environment.

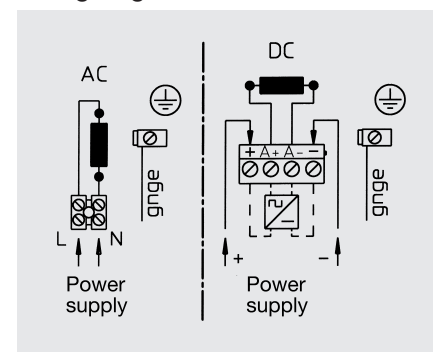


## Technical specifications

Housing	Impact resistant thermoplast (PC)
Colour	Black
Protection degree	IP 66 (IEC 529)
Cable gland	M20 x 1.5 with ATEX approval
Connection terminals	Cross section up to 2.5 mm <sup>2</sup>
Operating conditions	Indoors and outdoors
Operating position	Horn downwards
Operating mode	Continuous
Explosion protection	ATEX CE Ex II 3 G Ex nR IIC T6
Volume	ca. 108 dB(A), at 1 m distance (Regarding volume specifications please see the chapter "Technical Informations".)
Temperature range	
Operation	-20°C to +50°C
Storage	-30°C to +80°C
Weight	approx. 1.1 kg



### Wiring diagram



## Order information

Type	Name	Rated Voltage U <sub>e</sub>	Voltage range	Current Cons.	Article no.
HZ 2	Signalling Hooter	230 VAC 50Hz	+10/-15%	0.1 A	212 951 07
HZ 2	Signalling Hooter	24 VDC	+10/-15%	0.8 A	212 951 13
HZ 2	Signalling Hooter	12 VDC	+10/-15%	1,6 A	212 951 12

other voltages on request

Subject to change without notice · Printout 01/09