

Dust line



EEx Signalling Hooter HGD 22

**Loud all-purpose signalling device
for indoor and outdoor use in zone 22**

- ▶ CE II 3 D T60°C IP 66
-20°C ≤ Ta ≤ +50°C
- ▶ Corrosion-resistant and very sturdy
- ▶ Aluminium housing
- ▶ Protection degree IP 66
- ▶ Volume: approx. 108 dB(A) at 1 m



Application

The HGD 22 signalling hooter is a signalling device for warning and calling which, thanks to its sturdy housing, can be used indoor in both dry and damp rooms as well as outside.

The seawater-proof aluminium housing makes the device also suitable for use in rugged areas.

Design

The driver system consists of a strong, non-polarised electromagnet. The housing is made of seawater-proof aluminium. The signalling hooter is available for all usual supply voltages. Cable entry with M20 cablegland.

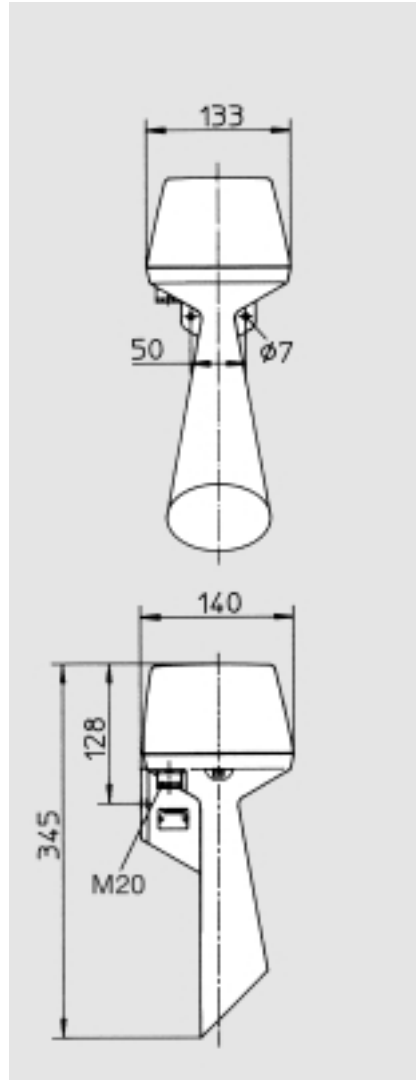
Break announcement in a factory area

Thanks to the seawater-proof aluminium housing the signalling hooter is suitable for use in rugged areas.

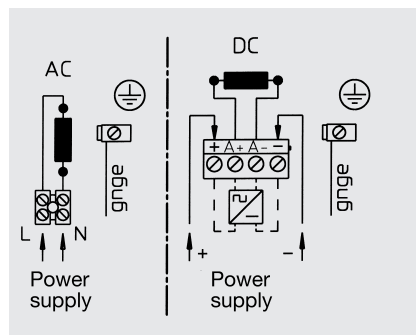


Technical specifications

Housing	Aluminium, weather-proof coated
Protection degree	IP 66 (IEC 60529)
Protection class	I
Cable gland	Screw gland M20
Connection terminals	Cross section: 1,5 mm ²
Operating conditions	Indoor and outdoor
Operating position	Horn downwards
Operating mode	Continuous
Volume	Approx. 108 dB(A), 1m (Regarding volume specifications, please see the chapter "Technical Informations".)
Temperature range	
Operation	-20° C up to +50° C
Storage	-30° C up to +80° C
Weight	Approx. 2.7 kg
Explosion protection	CE II 3 D T60° C IP 66 -20° C ≤ Ta ≤ +50° C



Wiring diagram



Order information

Type	Name	Rated voltage U _e	Operating voltage range U _e	Current consumption	Article no.
HGD 22	Signalling Hooter	230 VAC 50 Hz	+6/-10 %	0.07 A	212 865 07
HGD 22	Signalling Hooter	24 VDC	+10/-15 %	0.3 A	212 865 13

Subject to change without notice Printout 11/05