

Dust line



EEx Signalling Hooter HD 22

High volume sound device for use in zone 22

- ▶ CE II 3 D T70°C IP 66
-20°C ≤ Ta ≤ +50°C
- ▶ Protection degree IP 66
- ▶ Volume approx. 108 dB(A)
- ▶ Protection class II



Application

The signalling hooter HD 22 was developed for warning, calling and indicating purposes in zone 22 environment.

The hooter produces a sound volume of approx. 108 dB(A) at 1 m distance. It can be delivered in most common voltages.

Design

The driver system consists of a strong, non-pda rised electromagnet, whose striker hits the diaphragm between 100 and 120 times a second.

All DC versions are equipped with an electronic contact breaker.

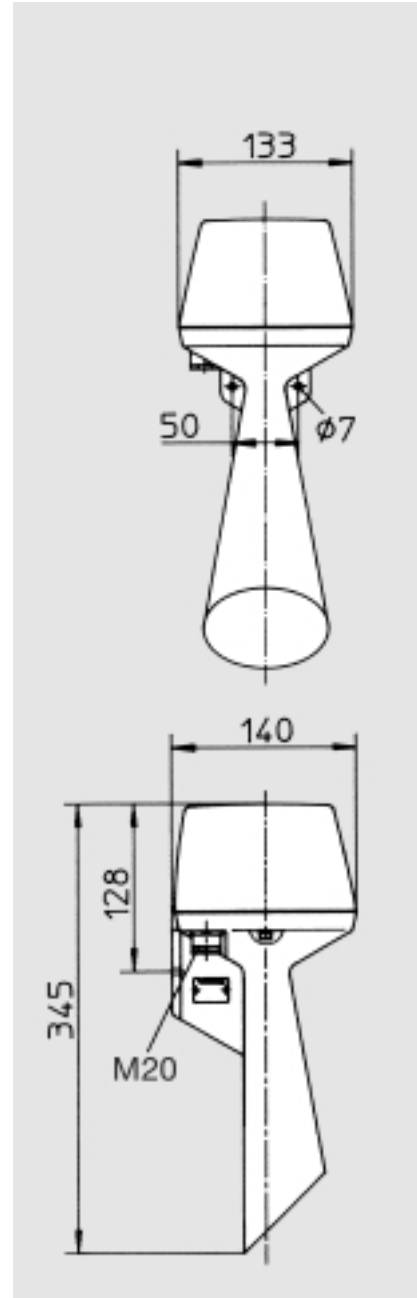
Acoustic Signalling device for Zone 22

The signalling hooter HD 22 was developed for warning purposes in zone 22 environment.

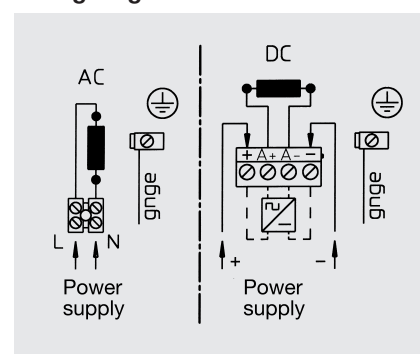


Technical specifications

Housing	Impact resistant thermoplast (PC)
Colour	Black
Protection degree	IP 66 (IEC 60529)
Cable gland	M20 x 1.5 with ATEX approval
Connection terminals	Cross section up to 2.5 mm ²
Operating conditions	Indoors and outdoors
Operating position	Horn downwards
Operating mode	Continuous
Explosion protection	CE II 3 D T70°C IP 66 -20°C ≤ Ta ≤ +50°C
Volume	ca. 108 dB(A), at 1 m distance (Regarding volume specifications please see the chapter "Technical Informations".)
Temperature range	
Operation	-20°C to +50°C
Storage	-30°C to +80°C
Weight	approx. 1.1 kg



Wiring diagram



Order information

Type	Name	Rated Voltage U _e	Voltage range	Current Cons.	Article no.
HD 22	Signalling Hooter	230 VAC 50Hz	+10/-15%	0.1 A	212 851 07
HD 22	Signalling Hooter	24 VDC	+10/-15%	0.8 A	212 851 13

Subject to change without notice

Printout 11/05